

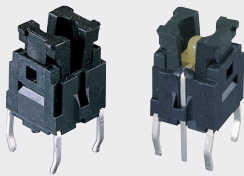
RTC035 Series

Recommend Applications

- For operating various electronic devices such as audio devices, office equipment, communication devices, measuring instruments, TVs, video recorders, automotive sets, etc.

Features

- Snap-in type, which can be directly mounted on PC board.
- Some of output terminals can be also used as jumper leads, thus making circuit design easy.



Rating (max)	DC48V , 50mA , 1VA max.
Contact Resistance	100mΩ max.
Insulation Resistance	DC100V -100mΩ min.
Withstand Voltage	AC250V - 1 minute
Stroke	0.25 ± 0.1mm
Operating Force	140 ± 40gf
Recommended Manual Soldering Profile	

Manual Soldering Temperature	Temperature	Time
	360±10 °C	4~5 sec.

The solder iron and solder shall be applied at a distance of 1.91 mm to 2.54 mm from the plastic housing.

Durability	300,000 cycles
------------	----------------

■ Lead Free ■ HF ■ RoHS

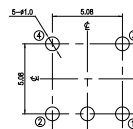
■ DIP - D Type Vertical 7.0L x 6.0W x 8.9H

Product No.	Package
RTC035-XA1D-A__B	Bulk

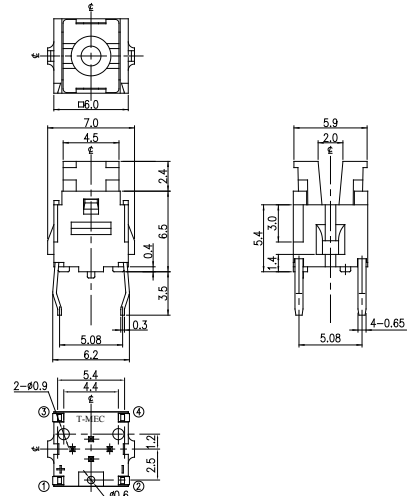
Schematic



P.C.B Layout



■ Outline Drawing



General Tolerance : ±0.2mm.

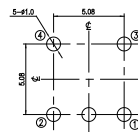
■ DIP - D Type Vertical 7.0L x 6.0W x 8.9H

Product No.	Package
RTC035-XA1D-B__B	Bulk

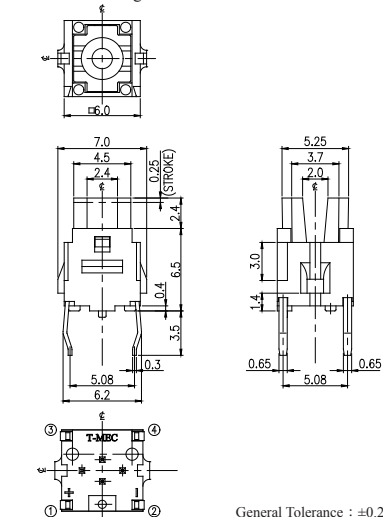
Schematic



P.C.B Layout



■ Outline Drawing

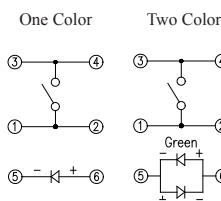


General Tolerance : ±0.2mm.

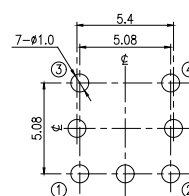
■ DIP - D Type Vertical 7.0L x 6.0W x 8.9H

Product No.	LED Color
RTC035-XC1D-A140B-B	Blue
RTC035-XC1D-A140B-G	Green
RTC035-XC1D-A140B-R	Red
RTC035-XC1D-A140B-Y	Yellow
RTC035-XC1D-A140B-GB	Green,Blue
RTC035-XC1D-A140B-GR	Green,Red
RTC035-XC1D-A140B-GY	Green,Yellow
RTC035-XC1D-A140B-RB	Red,Blue
RTC035-XC1D-A140B-RY	Red,Yellow
RTC035-XC1D-A140B-YB	Yellow,Blue
RTC035-XC1D-A140B-W	White

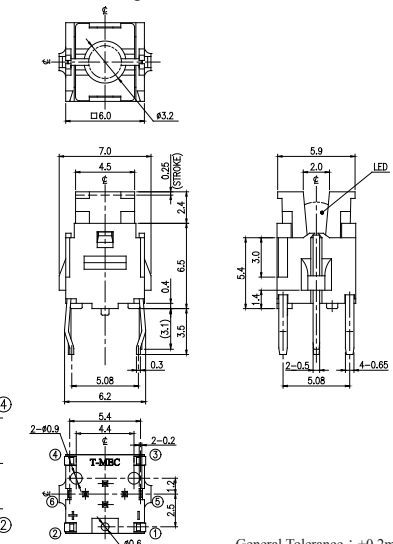
Circuit Diagram



P.C.B Layout



■ Outline Drawing



General Tolerance : ±0.2mm.