

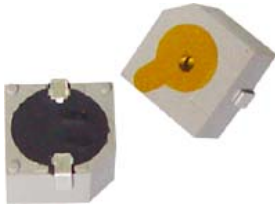


Description **SGSC-SEB13B05-241F:**

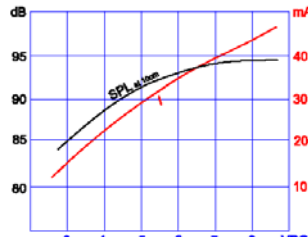
SMD Electro-magnetic Buzzer 12.8 mm (<13mm) diameter, type B (=12.8 width, 7mm height, top fire sound hole), 5VDC rated voltage – 2,4KHz resonant frequency – 1 (sound hole sealed with washable label), lead lead Free Reflowing Solderable and RoHS compliance

- RoHS compliance
- Small size
- Flame Retardant Plastic

Picture



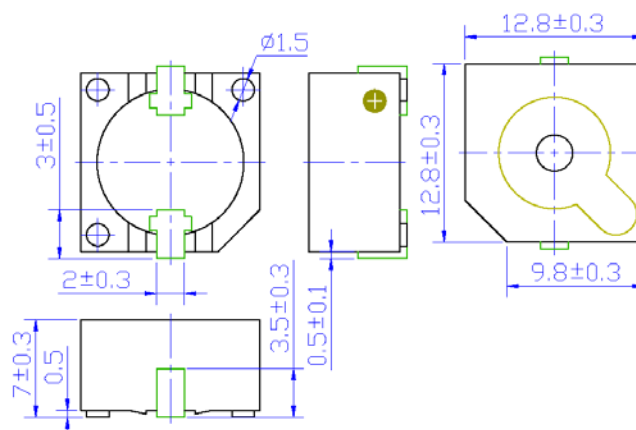
Characteristics



Specification

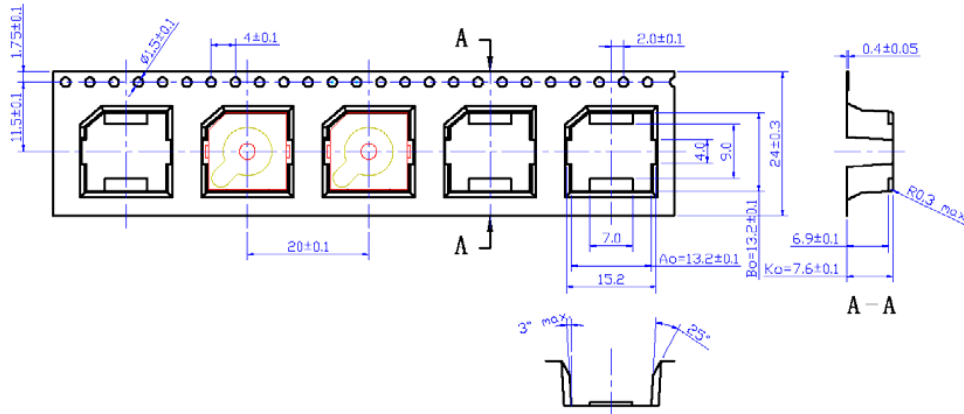
Rated Voltage	5 VDC
Operating Voltage	4 ~ 7 VDC
Operating Frequency	2400+/-400Hz
Sound Output	88dB min. at 5 VDC, 10cm at 25°C
Rated Current	30 mA max. at 5 VDC
Operating Temperature	-30°C to +85°C
Storage Temperature	-40°C to +90°C
Termination	
Description	2 soldering pads, Sn plated Brass
Termination Strength	Maximum of 9.8N load pull test, applied to each terminal in axial direction for 10 seconds
Construction Materials	
Case	Plastic, PPS A7-03A
Diaphragm	Ni Alloy Disc N50
Weight (Typical)	2.2 g
Reliability	
*Life Test	At 5 VDC in room temperature continuously for 1,000 hours
*High Temperature	No function at +90+/-2 °C for 96 hours; Function at +85+/-2 °C for 96 hours
*Low Temperature	No function at -40+/-2 °C for 96 hours; Function at -30+/-2 °C for 96 hours
*Humidity	25+/-2 °C, 90-95%RH, 5hr→up to 55+/-2 °C, 90-95%RH, 0.5hr →55+/-2 °C, 90-95%RH, 5hr→down to 25+/-2 °C, 90-95%RH, 0.5hr, 10 cycles
*Thermal Shock	-40+/-2 °C, 30min→+20 °C, 15min, →+85+/-2 °C, 30min→+20 °C, 15min, 5 cycles Temperature Go up or Drop time is 0.5 hr. 3 hrs per 1 cycle. Total is 5 cycles
*Vibration	1.5mm with 10 to 50Hz of vibration frequency to each of 3 perpendicular directions for 2 hours
*Shock	98m/s ² (=10g) shock for each mutually perpendicular directions, half sine wave, 3 times each
*Drop Test	Dropped naturally from 750mm height onto the surface of 10mm wooden board. 2 directions – upper and side of the part are applied
*Soldering Heat Resistance	Samples put through reflowing soldering oven 2 times
**Solderability	Samples put on PCB with solder paste through reflowing soldering oven 1 times
Warranty	For a period of one (1) year from date of manufacture under normal operations
	*All specifications must be satisfied after the test (Recovery: 2 to 4 hrs of recovery under the standard condition after the removal from test chamber). **90% min. soldering pads shall be with solder. (except the edge of pad)

Dimensions (Unit: mm)



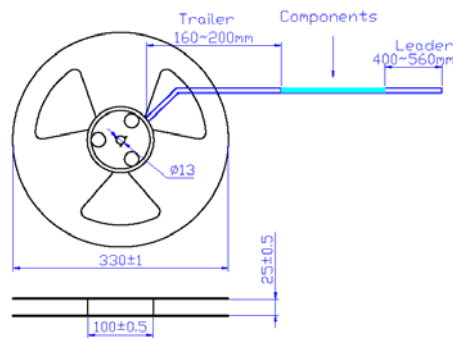


Tape & Reel Dimensions (Unit:mm)



NOTE:

- 1.10 sprocket hole pitch cumulative tolerance +/-0.20mm.
- 2.Carrier camber not to exceed 1 mm in 100 mm.
3. A0 and B0 measured on a plane on a place 0.30mm above the bottom of the pocket.
4. K0 measured from a plane on the inside bottom of the pocket to the top surface of the carrier.
5. All dimensions meet EIA-481-2-A requirements.
6. Component load per 13" Reel: 450 pcs.



Recommend Reflowing Profile

