

Description **SGSC-SET85N03-1730F**

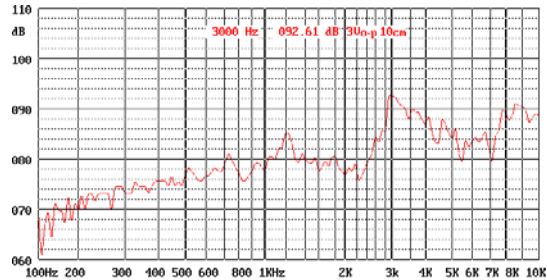
SMD Electro-magnetic Transducer 8,5mm length,
 type N(=3,5 mm height, 2.9x0.9mm sound hole),
 3 Vo-p rated voltage, 17 Ω coil resistance
 – 3,0 KHz resonant frequency
 Lead Free Reflowing solderable and RoHS compliance

- RoHS compliance
- Small size
- Flame Retardant Plastic
- Tape and reel packaging for auto mounting

Picture



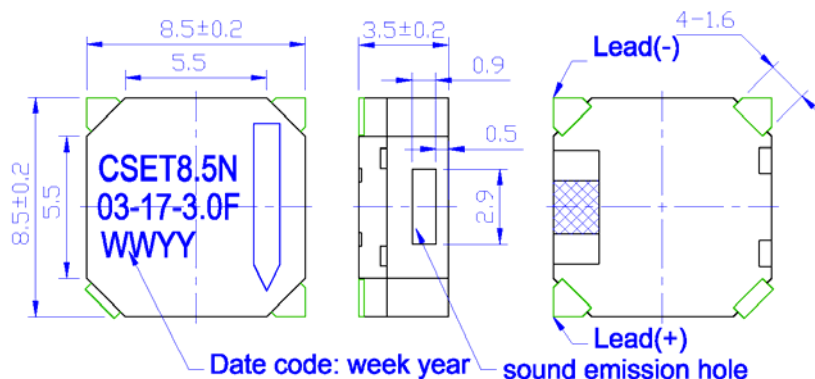
Characteristics



Specification

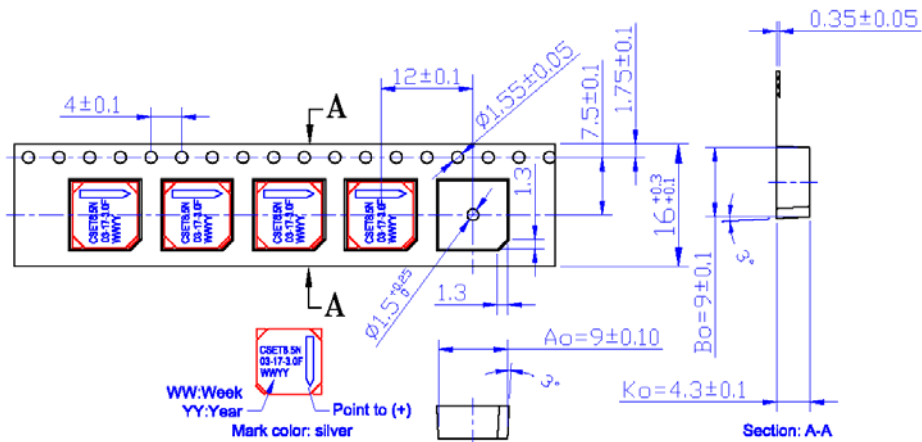
Rated Voltage	3 Vo-p square wave, 1/2 duty square wave
Operating Voltage	2~4 Vo-p square wave, 1/2 duty square wave
Operating Frequency	3000+/-500Hz
Coil Resistance	17+/-3 Ω
Sound Output	88dB min. at 3 Vo-p square wave, 1/2 duty square wave, 10cm, 3000Hz
Rated Current	80 mA max. at 3 Vo-p square wave, 1/2 duty square wave
Operating Temperature	-30 °C to +85 °C
Storage Temperature	-40 °C to +90 °C
Termination	
Description	4 soldering pads, Sn plated Brass
Termination Strength	Maximum of 9.8N (1kgs) for 10 seconds load pull test
Construction Materials	
Case	Plastic, LCP Vectra E130i
Diaphragm	Ni Alloy Disc N50 or equal
Weight (Typical)	0.6 g
Reliability	
*Life Test	At 3 Vo-p in room temperature continuously for 1,000 hours
*High Temperature	No function at +90+/-2 °C for 96 hours; Function at +85+/-2 °C for 96 hours
*Low Temperature	No function at -40+/-2 °C for 96 hours; Function at -30+/-2 °C for 96 hours
*Humidity	25+/-2 °C, 90-95%RH, 5hr→up to 55+/-2 °C, 90-95%RH, 0.5hr →55+/-2 °C, 90-95%RH, 5hr→down to 25+/-2 °C, 90-95%RH, 0.5hr, 10 cycles
*Thermal Shock	-40+/-2 °C, 30min→+20 °C, 15min, →+85+/-2 °C, 30min→+20 °C, 15min, 5 cycles Temperature Go up or Drop time is 0.5 hr. 3 hrs per 1 cycle. Total is 5 cycles
*Vibration	1.5mm with 10 to 50Hz of vibration frequency to each of 3 perpendicular directions for 2 hours
*Shock	98m/s ² (=10g) shock for each mutually perpendicular directions, half sine wave, 3 times each
*Drop Test	Dropped naturally from 750mm height onto the surface of 10mm wooden board. 2 directions – upper and side of the part are applied
*Soldering Heat Resistance	Samples put through reflowing soldering oven 2 twice
**Solderability	Samples put on PCB with solder paste through reflowing soldering oven 1 times
Warranty	For a period of one (1) year from date of manufacture under normal operations *All specifications must be satisfied after the test (Recovery:2 to 4 hrs of recovery under the standard condition after the removal from test chamber). **90% min. soldering pads shall be with solder.(except the edge of pad)

Dimensions (Unit: mm)



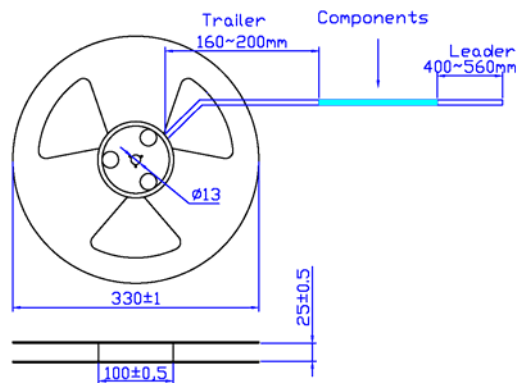


Tape & Reel Dimensions (Unit:mm)



NOTE:

1. 10 sprocket hole pitch cumulative tolerance: ± 0.20 mm.
2. Carrier camber is 1 mm in 100 mm.
3. A0 and B0 measured on a plane on a place 0.30mm above the bottom of the pocket.
4. K0 measured from a plane on the inside bottom of the pocket to the top surface of the carrier.
5. All dimensions meet EIA-481-2-A requirements.
6. Component load per 13" Reel: 1,200 pcs.



Recommend Reflowing Profile as per IPC/JEDEC J-STD-020D

